



SeaKing Parametric SBP Sub-Bottom Profiler

Features

- Dual frequency data
- Networkable
- Compact
- Energy efficient

Applications

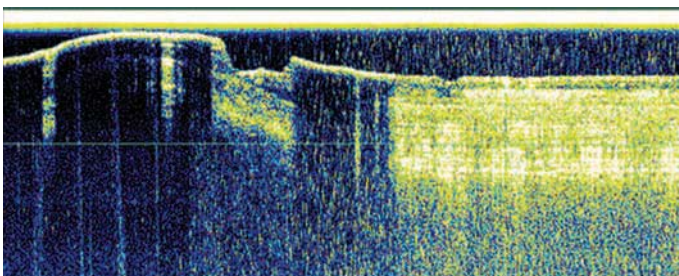
- Site survey
- Route survey
- Pipeline crossing
- Wreck search
- Object detection

If you need to obtain a clear picture of what lies below the seabed, look no further than the SeaKing Parametric SBP from Tritech. Sub-bottom profiling is now possible from this compact, low power unit, ideal for ROV and AUV use.

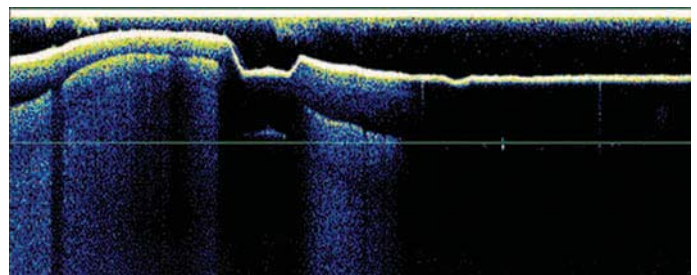
An innovative multi-element composite transducer array enables the echosounder to emit very low frequencies whilst minimising the size of the overall unit. Producing a 20kHz pulse, the system is capable of penetrating the seabed and highlighting structural differences that are hidden from view to conventional echosounders.

As with all SeaKing sensors, it is possible to integrate the parametric subbottom profiler in the ArcNet network, which enables the data to be displayed and logged on the SeaNet SCU.

The display allows the operator to view the raw 200kHz seabed profile, as well as the 20kHz sub-bottom layers produced by the parametric pulse.



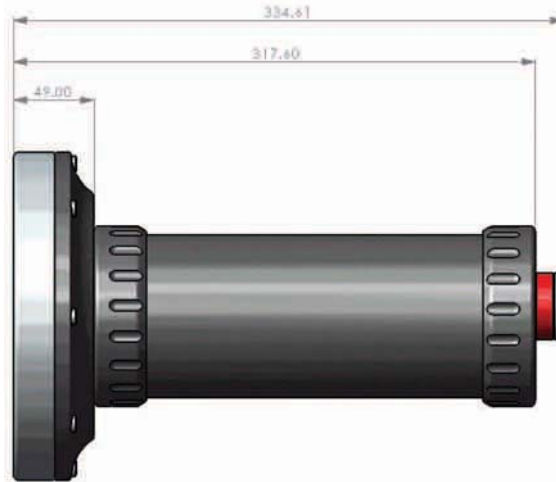
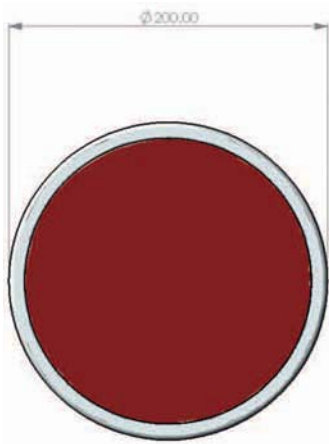
20kHz sub-bottom profile record



200kHz seabed profile record



Specifications



All measurements in mm

Primary frequency	200 kHz
Primary beamwidth	4 degrees
Low frequency	20kHz
Low frequency beamwidth	4.5 degrees
Pulse length	100 µseconds
Range resolution of HF	Dependent upon rangescale (10-100mm)
Range resolution of LF	Dependent upon rangescale (60 µseconds@30m)
Communication protocol	ArcNet, RS232
Software	Tritech Seanet display & control or low level direct command protocol
Data Log Format	Proprietary Tritech "V4Log" Exports to SEG-Y XTF & TIFF available offline via SEANET Conversion tools
Geographic data input	GPS NMEA data log in Seanet display and control software
Power requirements	24VDC @ 410mA (Nominal for DST model)
Materials	Aluminium alloy-HE30, RPU
Weight in air	6.3kg
Weight in water	2.7kg
Maximum operational depth	4000m

All specifications are subject to change in line with Tritech's policy of continual product development.

Ref: EDS-PRF-001.7



Tritech International Limited
 Peregrine Road • Westhill Business Park • Aberdeen
 AB32 6JL • United Kingdom

T: +44 (0)1224 744111
 F: +44 (0)1224 741771
 E-mail: sales@tritech.co.uk
 Website: www.tritech.co.uk

Marketed by:



Sea and Land Technologies Pte Ltd

65 Tuas Avenue 1, Singapore 639508
 Tel: +(65) 6518 0777 Fax: +(65) 6563 0366
 enquiry@sea-landtech.com.sg
 http://www.sea-landtech.com.sg