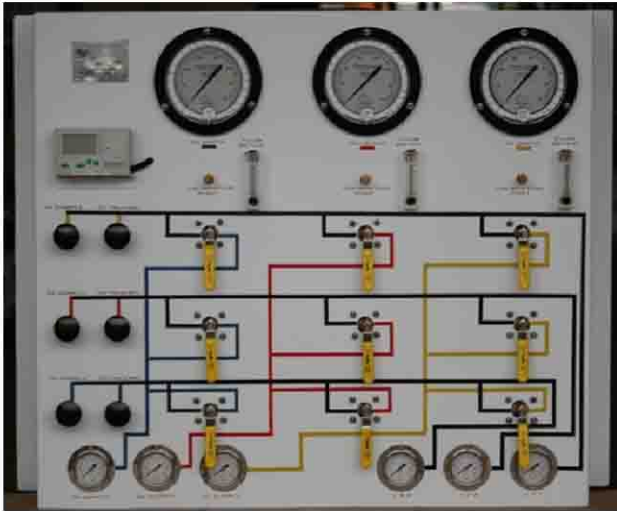




3 Divers Air Control and Depth Monitoring Panel (Low Pressure inlet and outlet) SALT SLT 3DAP-003ALP



The SALT 3 Diver L.P Wall Mounted Panel is designed for a shallow diving operation. It's meant to be mounted onto wall in container or cabin. The panel consist of 3 nos Low Pressure Inlet and with an O2 Analyser, Flowmeters & also a Calibration Port for individual depth gauges.

Optional : HP inlet and LP outlet comprising of :
- additional 3 x HP regulators and 3 HP/LP Gauges
Model SLT 3DAP-003AHP

Specifications:

Low Pressure Section:

Inlet Connection- JIC 8 [3 nos]

Inlet Pressure Range- 0-600 psi

Pneumo Gauge 6" Dial 0-250 FSW Accuracy 0.25% c/w Over

Pressure Relief Valve.[2 nos]

Non Return Valve Brass.

Ball Valve brass.

Flowmeter.

Oxygen Analyser.

Pressure gauges 2 1/2"

Needle Valve Brass.

Diver's Air Supply Outlet- JIC 8 [3 nos]

Diver's Pneumo Outlet- JIC 4 [3 nos]

Bulkhead Brass.

Stainless Steel Tubing- 1/4" & 1/2".

Weight: Approximately- 40kg Model SLT 3DAP-003AHP weight approximate 50 kg

Panel Powder Coated: [White]

Material: Aluminium.

Dimension: 1100mm x 1000mm x 3mm.